

Stock Code: **20025LEDDMG-BL/FST**

Collection: Strand

PRODUCT INFORMATION

Base: 20025 Parent: 20025LEDDMG
Mounting Type: Wall UPC: 641594245295
Finish: Black
Diffuser: Frosted

PRODUCT MEASUREMENTS

FIXTURE	BACKPLATE / CANOPY
Length:	Length
Width: 5.5"	Width:
Diameter	Diameter:
Height: 5.5"	Height:
Extension: 2.5"	
Overall Height:	

TECHNICAL SPECIFICATIONS

SPECIFICATIONS

Frame Material: Steel
 Diffuser Material: Glass
 Lamping Type: SSL (Dedicated LED) Jbox: Standard
 Lamping Base: SSL Lamp Wattage: 12 W
 Lamp Quantity: 1 Total Wattage: 12 W
 Voltage: 120v Lamps Included: Yes

QUALIFICATIONS

Location Rating Wet
 Certification: ETL (US/Canada) Listed
 ADA Compliant: Yes Energy Star: No
 JA8 Compliant: Outdoor Only Emergency Lighting: No
 Marine Grade Finish: Yes
 Warranty: 5 Year

PHOTOMETRICS

Dimmable: No Nominal Lumens 800 Lm
 CRI: 90 Delivered Lumens: 408 Lm
 CCT: 3000K
 Recommended Dimmers:

ADDITIONAL NOTES

Optional Color Tempature 100 Piece Minimum Order Quantity;
 Custom Finish 100 Piece Minimum Order Quantity

Project Name: _____

Location: _____

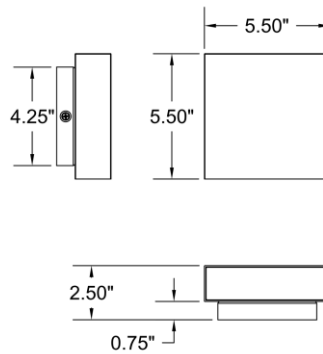
Type: _____

Quantity: _____

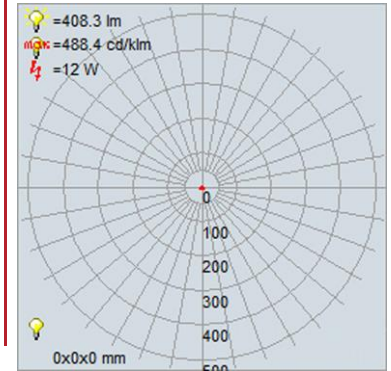
Notes: _____



LINE DRAWING



IES FILE



In addition to Access Lighting's purchase and warranty terms and conditions, by signing below or placing an order, you agree that you are authorized to bind the entity placing any order and acknowledge the following: All of sizes and measurements are approximate and all images are for illustrative purposes only. In the event of an inconsistency, the "Product Measurements" section controls. There also may be slight differences in the colors and designs compared to the displayed and printed images.

Signature: _____

Print Name _____ Date: _____

Toll Free 800-828-5483 www.AccessLighting.com

14410 Myford Road, Irvine, CA 92606

